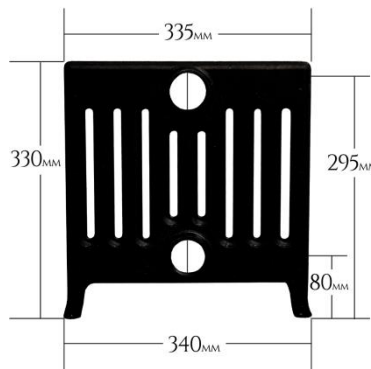




**Beaumont**  
cast iron

# THE VICTORIAN 9

## SIZE CHART



**RA 9330**

<b>SECTIONS</b>	<b>LENGTH</b>	<b>BTUs @ ΔT60</b>	<b>WATTS @ ΔT60</b>
<b>1</b>		444	130
<b>2</b>		888	260
<b>3</b>		1332	390
<b>4</b>	256mm	1776	520
<b>5</b>	315mm	2220	650
<b>6</b>	371mm	2664	780
<b>7</b>	427mm	3108	910
<b>8</b>	483mm	3552	1040
<b>9</b>	539mm	3996	1170
<b>10</b>	595mm	4440	1300
<b>11</b>	651mm	4884	1430
<b>12</b>	707mm	5328	1560
<b>13</b>	763mm	5772	1690
<b>14</b>	819mm	6216	1820
<b>15</b>	875mm	6660	1950



## OVERVIEW

The VICTORIAN 9 cast iron radiator is ideally designed to sit under a low windowsill or as a secondary heat source to underfloor heating.

All Beaumont cast iron radiators are carefully hand made to your own required BTUs and fully assembled ready for plumbing into your new or existing pipework.

The VICTORIAN 9 can be finished in a variety of colours – metallic, Farrow & Ball range, RAL colours or primed for onsite painting.

Because each radiator section is specially hand cast there may be a slight variation in the length of each radiator once built (end bush to end bush), please allow for this in your pipework fittings.

DEPTH OF SECTION FROM SKIRTING BOARD = 335MM

SECTION WIDTH = 56MM

WEIGHT = 8KG DRY