

The *Victorian 9* Collection



The *Victorian 9* cast iron radiator is ideal for hard to heat areas. Compact and robust the *Victorian 9* has a high output of heat and comes complete in a variety of finishes.

The *Victorian 9* column is ideal for low drop windows where space is limited.

The *Victorian 9* provides great heat output and is ideally designed to sit under a windowsill. Use as a secondary heat source to underfloor heating in chillier rooms or where height is restricted.

The *Victorian 9* column radiator is one of the older designs and is very popular in period settings for true authenticity. The *Victorian 9* column is 360mm in height.

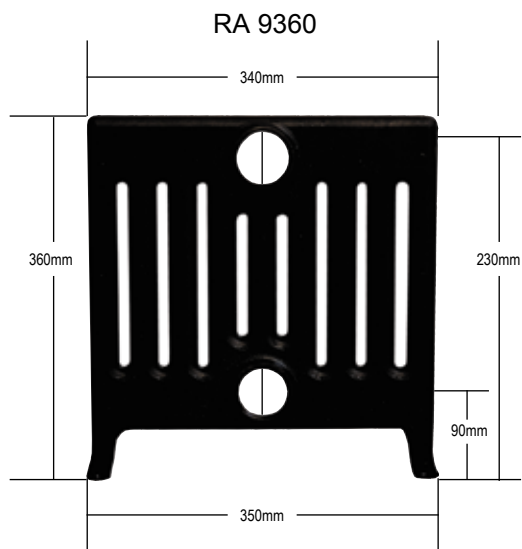
Distressed or polished brass wheelhead and lockshield valves (available as thermostatic or manual) complement this radiator perfectly to complete the traditional look.

All Beaumont cast iron radiators are carefully hand built to your own required BTUs and fully assembled ready for plumbing into your new or existing pipework.

The *Victorian 9* can be finished in a variety of colours – metallic, Farrow & Ball range, the RAL chart or primed for onsite painting.

Each radiator section is hand cast so total length may vary slightly. The columns below give some idea of the approximate length but we strongly advise against finalising any pipework until radiators are on site.

The maximum number of sections for this radiator is 15.



SECTIONS	LENGTH
1	
2	
3	
4	268mm
5	326mm
6	386mm
7	441mm
8	499mm
9	556mm
10	614mm
11	672mm
12	729mm
13	787mm
14	845mm
15	903mm

BTUs	WATTS @ Δ T60
723	212
1446	424
2169	636
2892	848
3615	1059
4338	1271
5061	1483
5784	1695
6507	1907
7230	2119
7953	2331
8676	2543
9399	2755
10122	2967
10845	3178