



The *Rococo Royale*

**The stunning
Rococo Royale
cast iron radiator
blends with any
period setting and
offers a very high
heat output.**

Where a period setting is required the *Rococo Royale* cast iron radiator is the preferred choice for traditionally styled new build or refurbished properties. From humble radiator to a fabulous centrepiece the *Rococo Royale* will give out more economical heat than you can imagine.

The *Rococo Royale* is 960mm in height and available in various finishes.

The *Rococo Royale* cast iron radiator arrives completely assembled, primed, burnished or painted ready to fit your new or existing pipework.

The *Rococo Royale* can be supplied with thermostatic or manual wheelhead and lockshield valve sets to complete the authentic period finish.

All Beaumont cast iron radiators are carefully hand built to your own required BTUs and fully assembled ready for plumbing into your new or existing pipework.

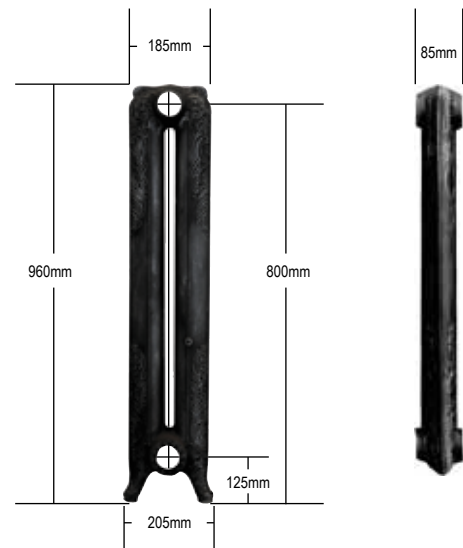
Burnishing is the optimum finish for the *Rococo Royale* to accentuate the detailed scrollwork. Burnishing paste is carefully applied by hand over a darker base coat. This is the same traditional method used by craftsmen throughout the ages.

The *Rococo Royale* can be finished in a variety of colours – metallic, Farrow & Ball range, the RAL chart or primed for onsite painting.

Because each radiator section is specially hand made there may often be a slight variation in the length of each radiator once built (end bush to end bush), please allow for this in your pipework.



RR 2960



SECTIONS	LENGTH
1	
2	
3	286mm
4	371mm
5	456mm
6	541mm
7	626mm
8	711mm
9	796mm
10	881mm
11	966mm
12	1051mm
13	1136mm
14	1221mm
15	1306mm

BTUs	WATTS @ Δ T60
790	232
1580	464
2370	696
3160	928
3950	1160
4740	1392
5530	1624
6320	1856
7110	2088
7900	2320
8690	2552
9480	2784
10270	3016
11060	3248
11850	3480